



M-7553-B302/C302/D302/E302 Clutch Quadrant – 1982-2003 Mustang INSTALLATION INSTRUCTIONS

NO PART OF THIS DOCUMENT MAY BE REPRODUCED WITHOUT PRIOR AGREEMENT AND WRITTEN PERMISSION OF FORD RACING PERFORMANCE PARTS.

Please visit www.fordracingparts.com for the most current instruction information

!!! PLEASE READ ALL OF THE FOLLOWING INSTRUCTIONS CAREFULLY PRIOR TO INSTALLATION. AT ANY TIME YOU DO NOT UNDERSTAND THE INSTRUCTIONS, PLEASE CALL THE FORD RACING TECHLINE AT 1-800-367-3788 !!!

APPLICATION:

These kits are designed for use on 1982-03 Mustang applications.

OVERVIEW:

We recommend the use of a floor hoist when installing this kit. If you do not have access to a hoist, you will need to raise the vehicle with a floor jack and support it with jack stands.

!!! WARNING: TO AVOID PERSONAL INJURY OR VEHICLE DAMAGE WHEN USING JACK STANDS, IT IS IMPORTANT THAT THEY ARE SEATED FIRMLY ON LEVEL SURFACE!!!

Note: Refer to attached illustration for proper torque specifications.

INSTALLATION:

- STEP 1:** Disconnect battery.
- STEP 2:** Lift and secure car on jack stands or vehicle hoist.
- STEP 3:** Under the car on the driver's side of the bellhousing, remove the clutch fork dust cover. Locate the clutch cable attachment point. Take a pry bar and pry the clutch fork forward (toward the front of the car) to create an inch or so of slack in the clutch cable. Then remove the clutch cable from the clutch fork. (See view D)
- STEP 4:** Remove the clip from the bellhousing cable mount. (See view D)
- STEP 5:** In the engine compartment, disconnect the cable mount from the driver's side strut tower. (See view A)
- STEP 6:** Disconnect the clutch cable from the engine compartment bulkhead. (See view B)
- STEP 7:** Inside the car under the dash, locate the (purple) end of the clutch cable. Remove the cable from the plastic quadrant which can be found just above the accelerator pedal. (See view C and D)
- Note:** It may help to remove the driver's seat to provide more room to access the clutch quadrant.
- STEP 8:** Carefully remove the clips and springs from each of the two stock plastic quadrant parts.

Factory Ford shop manuals are available from Helm Publications, 1-800-782-4356



**M-7553-B302/C302/D302/E302
Clutch Quadrant – 1982-2003 Mustang
INSTALLATION INSTRUCTIONS**

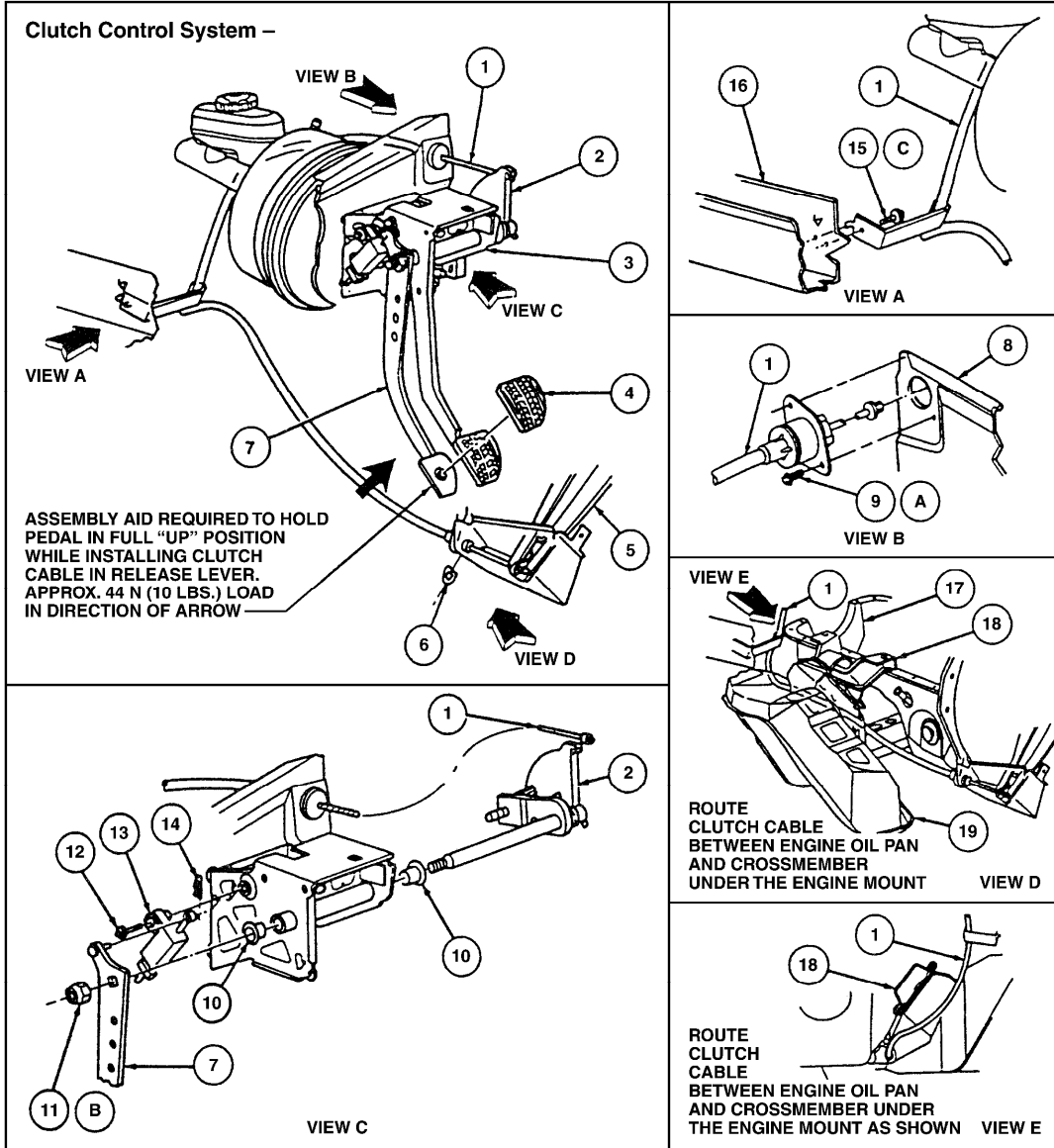
NO PART OF THIS DOCUMENT MAY BE REPRODUCED WITHOUT PRIOR AGREEMENT AND WRITTEN PERMISSION OF FORD RACING PERFORMANCE PARTS.

- STEP 9:** Press the clutch pedal fully to the floor (you may have to pull carpet aside) and remove quadrant parts.
- STEP 10:** Install new clutch cable on the engine compartment bulkhead (just push the purple end through the hole).
(See view B)
- STEP 11:** Route the new cable the same as the old cable. (See view A-E)
- STEP 12:** Reattach mounting bracket to the strut tower. (See view A-E)
- STEP 13:** Push rod end of cable through hole in the bellhousing and replace the clip on the bellhousing cable mount. (See view D)
- STEP 14:** Attach the purple end of cable on the quadrant (under dash). (See view C)
- STEP 15:** Attach the clutch cable to the clutch fork. (See view D)
- STEP 16:** Adjust the clutch cable up using the threaded adjustment so that there a 1/4" of play in the clutch pedal. Be sure to tighten the jam nut on cable to secure the adjustment
- STEP 17:** Manually adjust the clutch using the threaded adjustment as needed throughout the clutch life.
- STEP 18:** Reconnect battery.

Factory Ford shop manuals are available from Helm Publications, 1-800-782-4356

M-7553-B302/C302/D302/E302 Clutch Quadrant – 1982-2003 Mustang INSTALLATION INSTRUCTIONS

NO PART OF THIS DOCUMENT MAY BE REPRODUCED WITHOUT PRIOR AGREEMENT AND WRITTEN PERMISSION OF FORD RACING PERFORMANCE PARTS.



Item	Description	Item	Description	Item	Description	Item	Description
1	Clutch Release Lever Cable	7	Clutch Pedal	13	Clutch Pedal Position Switch	19	Crossmember
2	Clutch Pedal Adjuster Quadrant	8	Dash Panel	14	Hair Pin Clip	A	Tighten to 3.4-4.8 N-m (30-42 lb.-in.)
3	Pedal Support Bracket	9	Screw (2 Req'd)	15	Screw	B	Tighten to 34-36 N-m (25-34 lb.-in.)
4	Pedal Pad	10	Bushing (2 Req'd)	16	Front Side Rear Member	C	Tighten to 8-12 N-m (71-106 lb.-in.)
5	Clutch Release Lever	11	Nut	17	Engine Oil Pan		
6	C-Clip	12	Screw	18	Engine Mount		

Factory Ford shop manuals are available from Helm Publications, 1-800-782-4356