



FORD PERFORMANCE

Part Number: M-5230-FSHA
Part Description: 2012-2014 Focus Hatchback ST
Exhaust System
INSTALLATION INSTRUCTIONS

NO PART OF THIS DOCUMENT MAY BE REPRODUCED WITHOUT PRIOR AGREEMENT AND WRITTEN PERMISSION OF FORD PERFORMANCE PARTS.

Please visit www.fordracingparts.com for the most current instruction information.

!!! PLEASE READ ALL OF THE FOLLOWING INSTRUCTIONS CAREFULLY PRIOR TO INSTALLATION.

AT ANY TIME YOU DO NOT UNDERSTAND THE INSTRUCTIONS, PLEASE CALL THE FORD PERFORMANCE TECHLINE AT 1-800-367-3788 !!!

OVERVIEW:

The use of a floor hoist is recommended for this installation. If you do not have access to one, use a hydraulic floor jack and jack stands to raise the vehicle.

!! CAUTION: JACK STANDS MUST BE USED ON A LEVEL SURFACE AND BE SECURELY SEATED. FAILURE TO DO SO MAY RESULT IN PERSONAL INJURY OR VEHICLE DAMAGE !!

KIT INCLUDES:

<u>Item #</u>	<u>Description</u>	<u>Qty</u>
WLK-33230	2" Mega Clamp	1
CM51-A17B918-AC	Lower Valance Bracket	2
CM5Z-13A565-A	RH Reflector Assy.	1
CM5Z-13A565-B	LH Reflector Assy.	1
CM5Z-17765-A	RH Insert	1
CM5Z-17765-B	LH Insert	1
CM5Z-17810-AB	Bumper Extension	1
CV6Z-5230-W	Intermediate Exhaust Pipe	1
CV6Z-5A289-F	ST Muffler	1
W716070-S300	Rear Fascia Support Rivet	2
W712919-S	Phillips Screw	2

Factory Ford shop manuals are available from Helm Publications, 1-800-782-4356



FORD PERFORMANCE

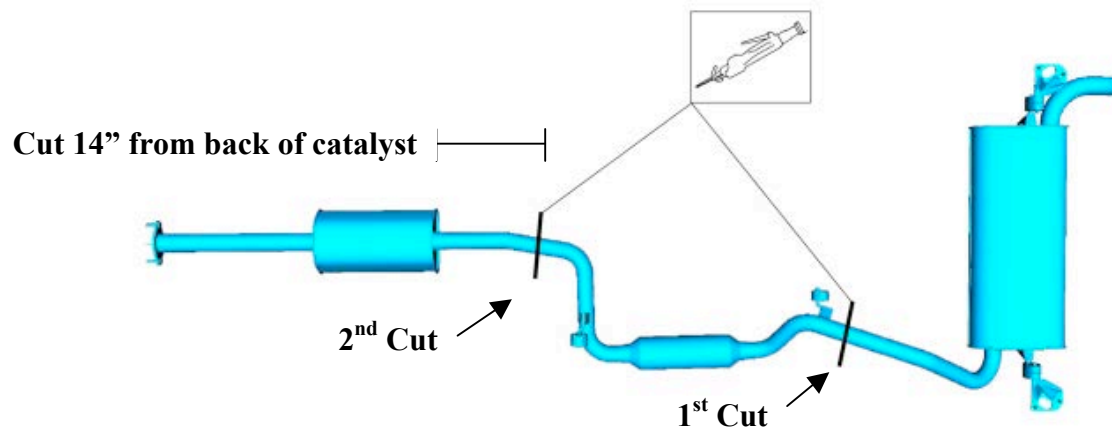
Part Number: M-5230-FSHA
Part Description: 2012-2014 Focus Hatchback ST
Exhaust System
INSTALLATION INSTRUCTIONS

NO PART OF THIS DOCUMENT MAY BE REPRODUCED WITHOUT PRIOR AGREEMENT AND WRITTEN PERMISSION OF FORD PERFORMANCE PARTS.

Muffler and Tailpipe Removal

NOTICE: Do not forcibly bend or twist the exhaust flexible pipe. Failure to follow these instructions may cause damage to the flexible pipe.

1. With vehicle raised up and supported, cut tailpipe as viewed in picture below.



E149915

Factory Ford shop manuals are available from Helm Publications, 1-800-782-4356

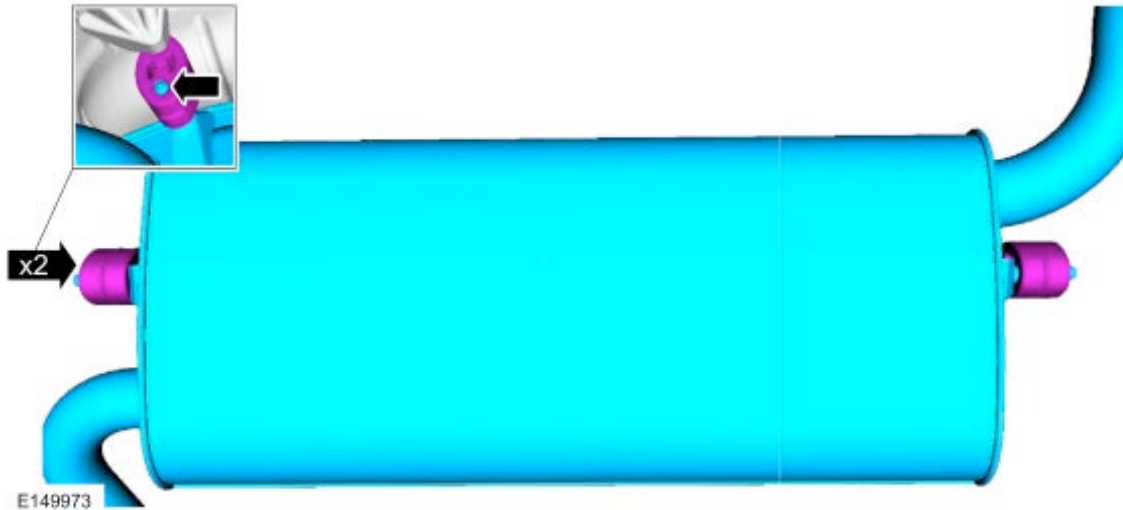


FORD PERFORMANCE

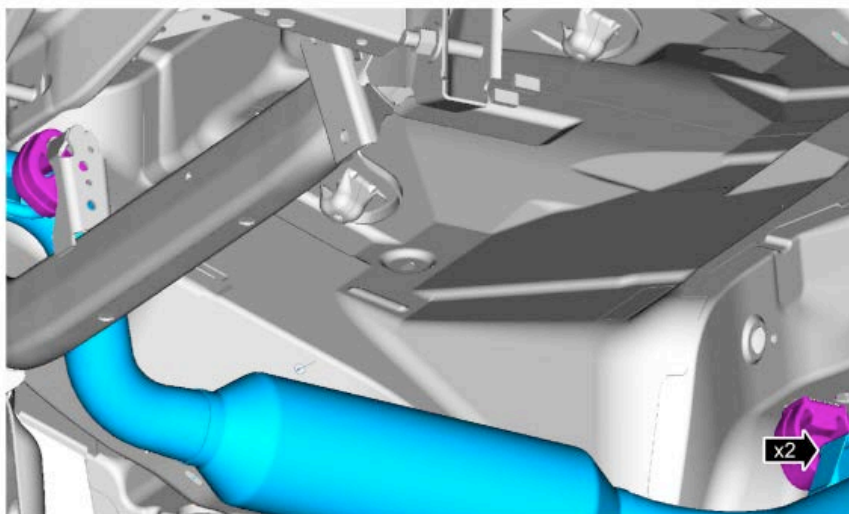
Part Number: M-5230-FSHA
Part Description: 2012-2014 Focus Hatchback ST
Exhaust System
INSTALLATION INSTRUCTIONS

NO PART OF THIS DOCUMENT MAY BE REPRODUCED WITHOUT PRIOR AGREEMENT AND WRITTEN PERMISSION OF FORD PERFORMANCE PARTS.

2. **Remove 2 rubber hangers from muffler and remove muffler. (Spray rubber hangers with soap and water to help slide off steel rods.)**



3. **Remove 2 rubber hangers from intermediate pipe and remove pipe. (Spray rubber hangers with soap and water to help slide off steel rods.)**



Factory Ford shop manuals are available from Helm Publications, 1-800-782-4356

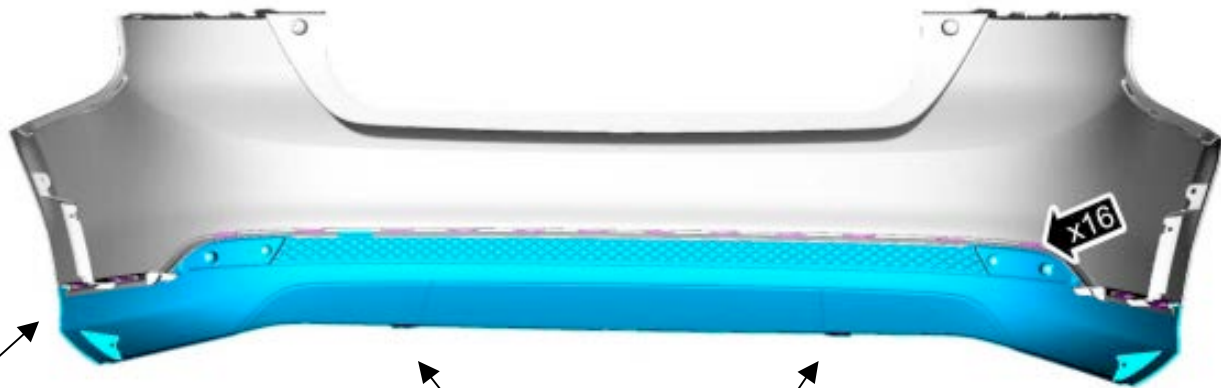


FORD PERFORMANCE

Part Number: M-5230-FSHA
Part Description: 2012-2014 Focus Hatchback ST
Exhaust System
INSTALLATION INSTRUCTIONS

NO PART OF THIS DOCUMENT MAY BE REPRODUCED WITHOUT PRIOR AGREEMENT AND WRITTEN PERMISSION OF FORD PERFORMANCE PARTS.

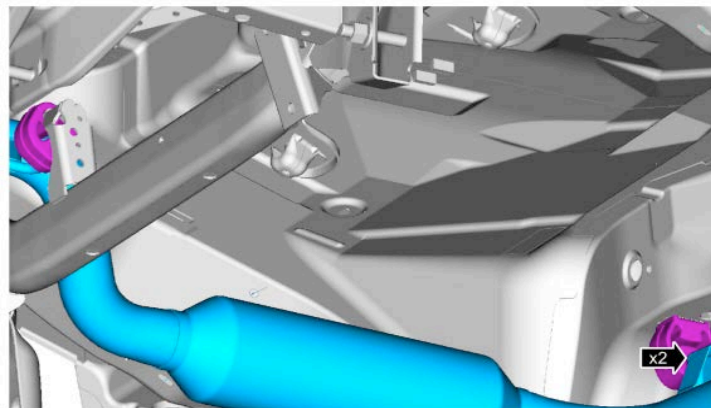
4. **Remove lower trim panel from rear bumper cover by removing 1 screw and 1 push pin from each side. There are 16 locking tabs still holding lower trim panel on. Grab one side and gently pull panel off.**



1 screw on each side,
in wheel well opening

Remove 2 push pins

5. **Install intermediate pipe. Slide pipe over back of catalyst pipe (slide clamp part number 6U2Z-5A231-A onto pipe at back of catalyst), leaving clamp loose at this time.**
6. **Slide hanger rods (2) into rubber hangers. (Picture below is for reference only.)**



E149972

Factory Ford shop manuals are available from Helm Publications, 1-800-782-4356

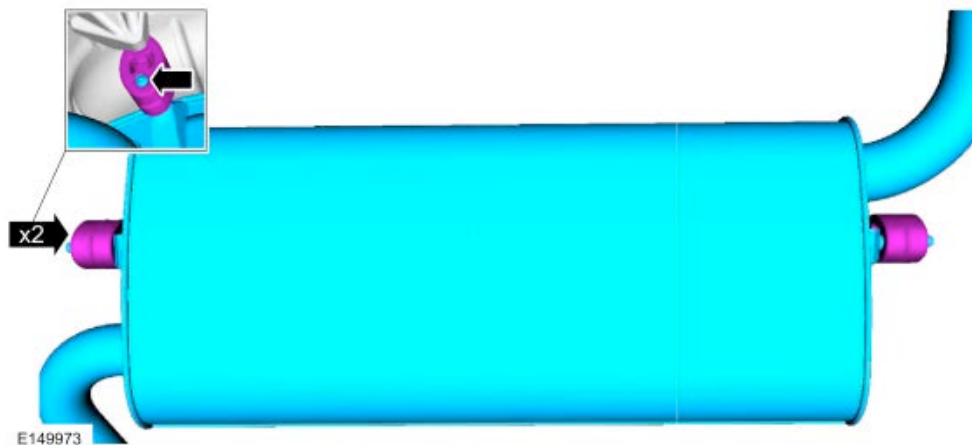


FORD PERFORMANCE

Part Number: M-5230-FSHA
Part Description: 2012-2014 Focus Hatchback ST
Exhaust System
INSTALLATION INSTRUCTIONS

NO PART OF THIS DOCUMENT MAY BE REPRODUCED WITHOUT PRIOR AGREEMENT AND WRITTEN PERMISSION OF FORD PERFORMANCE PARTS.

7. **Install muffler. Slide muffler over intermediate pipe (clamp comes on muffler). Leave clamp loose at this time.**
8. **Slide hanger rods (2) into rubber hangers. (Picture below is for reference only.)**



9. **Align system and tighten both clamps.**
10. **Remove lower valance brackets (2) by using a 3/16 drill, drill out rivet.**



Factory Ford shop manuals are available from Helm Publications, 1-800-782-4356

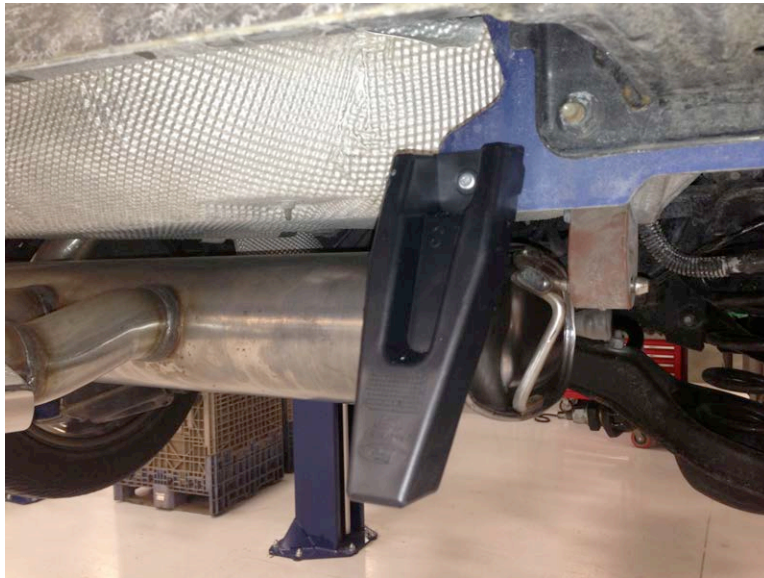


FORD PERFORMANCE

Part Number: M-5230-FSHA
Part Description: 2012-2014 Focus Hatchback ST
Exhaust System
INSTALLATION INSTRUCTIONS

NO PART OF THIS DOCUMENT MAY BE REPRODUCED WITHOUT PRIOR AGREEMENT AND WRITTEN PERMISSION OF FORD PERFORMANCE PARTS.

- 11. Install supplied lower valance brackets (2) using rear fascia support rivets (2).**



- 12. Install reflectors and inserts into new lower valance.**



Factory Ford shop manuals are available from Helm Publications, 1-800-782-4356

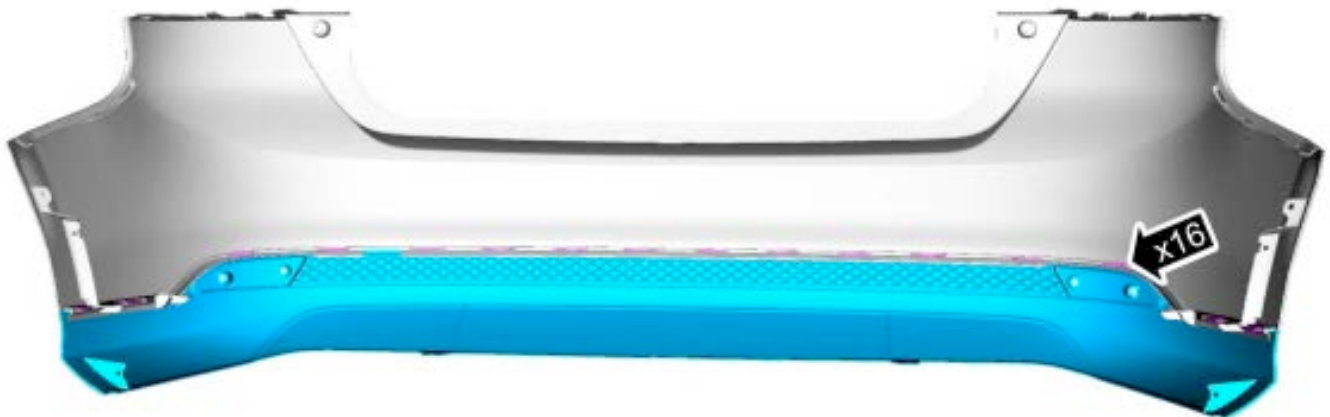


FORD PERFORMANCE

Part Number: M-5230-FSHA
Part Description: 2012-2014 Focus Hatchback ST
Exhaust System
INSTALLATION INSTRUCTIONS

NO PART OF THIS DOCUMENT MAY BE REPRODUCED WITHOUT PRIOR AGREEMENT AND WRITTEN PERMISSION OF FORD PERFORMANCE PARTS.

13. Install new lower valance by snapping it into the rear bumper cover. (Picture below is for reference only.)



E153428

14. Install 2 Phillips head screws part number W712919-S through the lower valance into new support brackets. Install 2 screws that were removed in step 4 (1 in each wheel well).



Factory Ford shop manuals are available from Helm Publications, 1-800-782-4356



FORD PERFORMANCE

Part Number: M-5230-FSHA
Part Description: 2012-2014 Focus Hatchback ST
Exhaust System
INSTALLATION INSTRUCTIONS

NO PART OF THIS DOCUMENT MAY BE REPRODUCED WITHOUT PRIOR AGREEMENT AND WRITTEN PERMISSION OF FORD PERFORMANCE PARTS.

15. Check final alignment of exhaust tips (adjust if needed).



Factory Ford shop manuals are available from Helm Publications, 1-800-782-4356