

NO PART OF THIS DOCUMENT MAY BE REPRODUCED WITHOUT PRIOR AGREEMENT AND WRITTEN PERMISSION OF FORD PERFORMANCE PARTS © Ford Motor Company 2020

PRIOR TO INSTALLATION READ THESE INSTRUCTION COMPETELY
For questions, Call the FORD PERFORMANCE Techline 1-800-367-3788

Please visit <https://www.performanceparts.ford.com> for warranty information

OVERVIEW:

This instruction sheet contains important information regarding the specifications for FPP part M-11000-SD73.

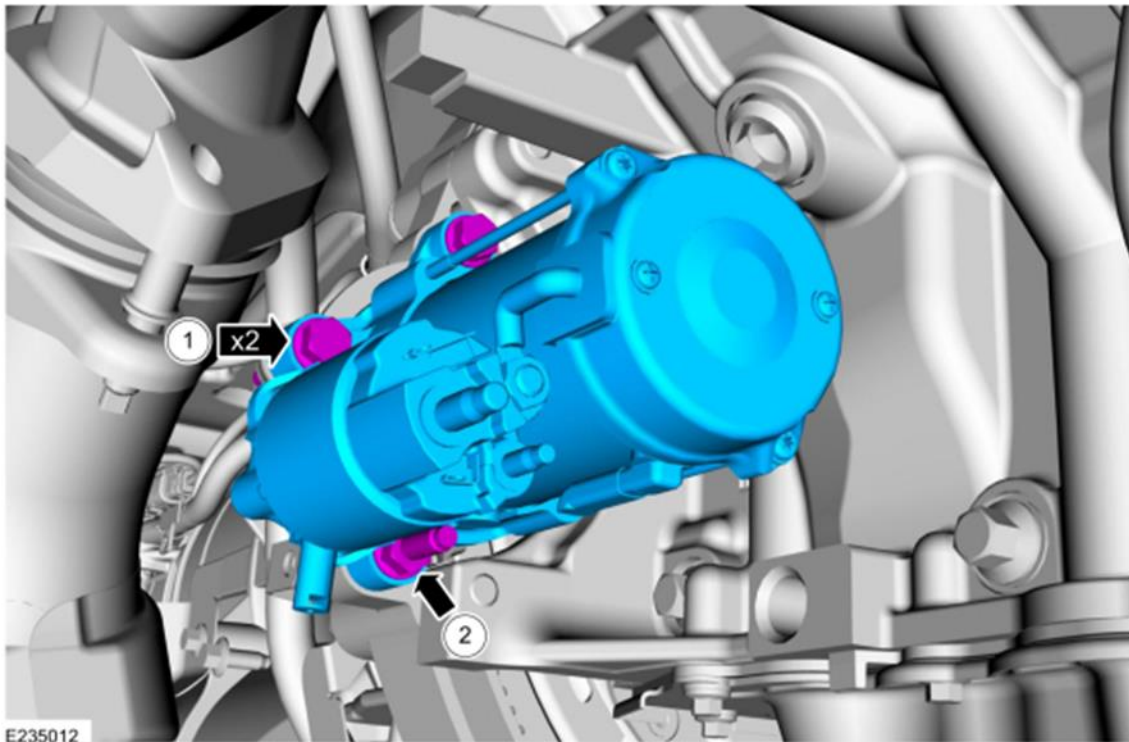
CONTENTS/BILL OF MATERIALS:

Service Part Number	Description	Quantity
LC3Z-11002-A	Starter motor	1
W720291-S450	Stud/bolt	1
W704942-S437	Starter bolts	2
W705790-S901	Solenoid nut 6mm x 1.0 (solenoid control)	1
N805403-S100	Starter cable nut 8mm x 1.25 (solenoid battery cable)	1

Installation:

Starter Motor:

1. Install the bolts.
*Torque: 18 lb*ft (25 N*m)*
2. Install the stud/bolt and the starter motor.
*Torque: 18 lb*ft (25 N*m)*

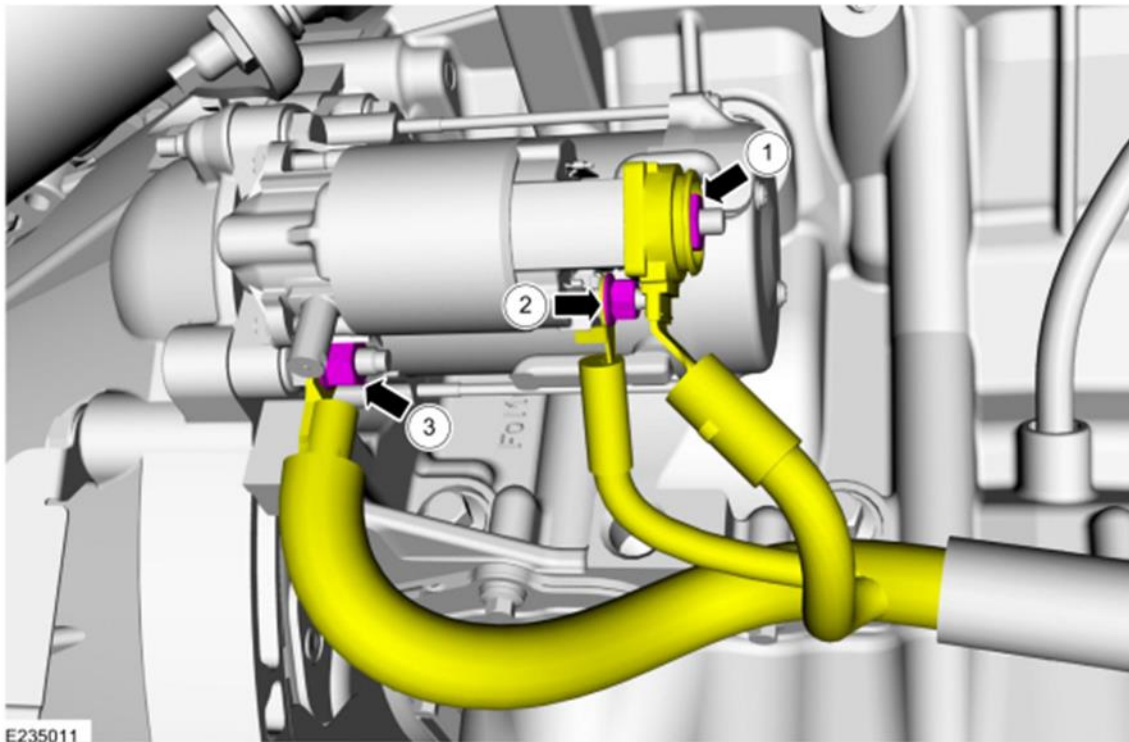


Ford Factory Shop Manual purchase options www.motorcraftservice.com

NO PART OF THIS DOCUMENT MAY BE REPRODUCED WITHOUT PRIOR AGREEMENT AND WRITTEN PERMISSION OF FORD PERFORMANCE PARTS © Ford Motor Company 2020

Wiring

3. Install the nut on the starter motor solenoid battery cable.
*Torque: 106 lb*in (12 N*m)*
4. Install the nut on the starter motor solenoid control wire.
*Torque: 53 lb*in (6 N*m)*
5. Using the stud/bolt install the nut on the ground cable.
*Torque: 18 lb*ft (25 N*m)*



Ford Factory Shop Manual purchase options www.motorcraftservice.com