



M-1447-RNGR  
2019-2021MY Ranger  
Black Oval Kit

NO PART OF THIS DOCUMENT MAY BE REPRODUCED WITHOUT PRIOR AGREEMENT AND WRITTEN PERMISSION OF  
FORD PERFORMANCE PARTS © Ford Motor Company 2020

**PRIOR TO INSTALLATION READ THESE INSTRUCTION COMPETELY**  
**For questions, Call the FORD PERFORMANCE Techline 1-800-367-3788**

Please visit <https://www.performanceparts.ford.com> for warranty information



Ford Factory Shop Manual purchase options [www.motorcraftservice.com](http://www.motorcraftservice.com)



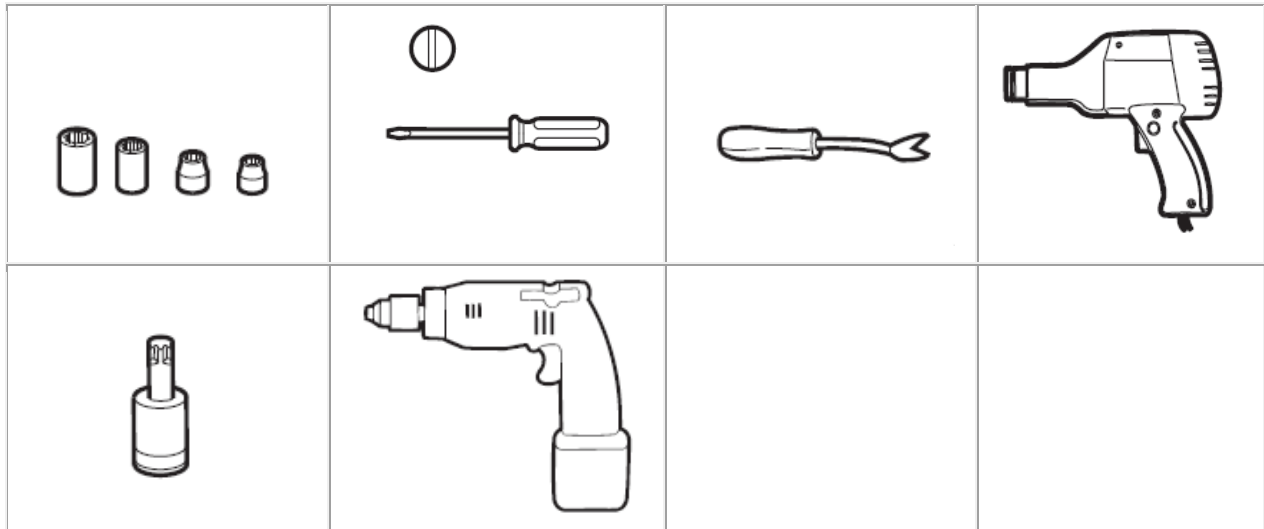
M-1447-RNGR  
2019-2021MY Ranger  
Black Oval Kit

NO PART OF THIS DOCUMENT MAY BE REPRODUCED WITHOUT PRIOR AGREEMENT AND WRITTEN PERMISSION OF FORD PERFORMANCE PARTS © Ford Motor Company 2020

**Kit contents:**

<b>Description</b>	<b>Quantity</b>
FPP Ranger Black Oval (Grille)	1
FPP Ranger Black Oval (Tailgate)	1

**Special Tool(s) / General Equipment**




Ford Factory Shop Manual purchase options [www.motorcraftservice.com](http://www.motorcraftservice.com)

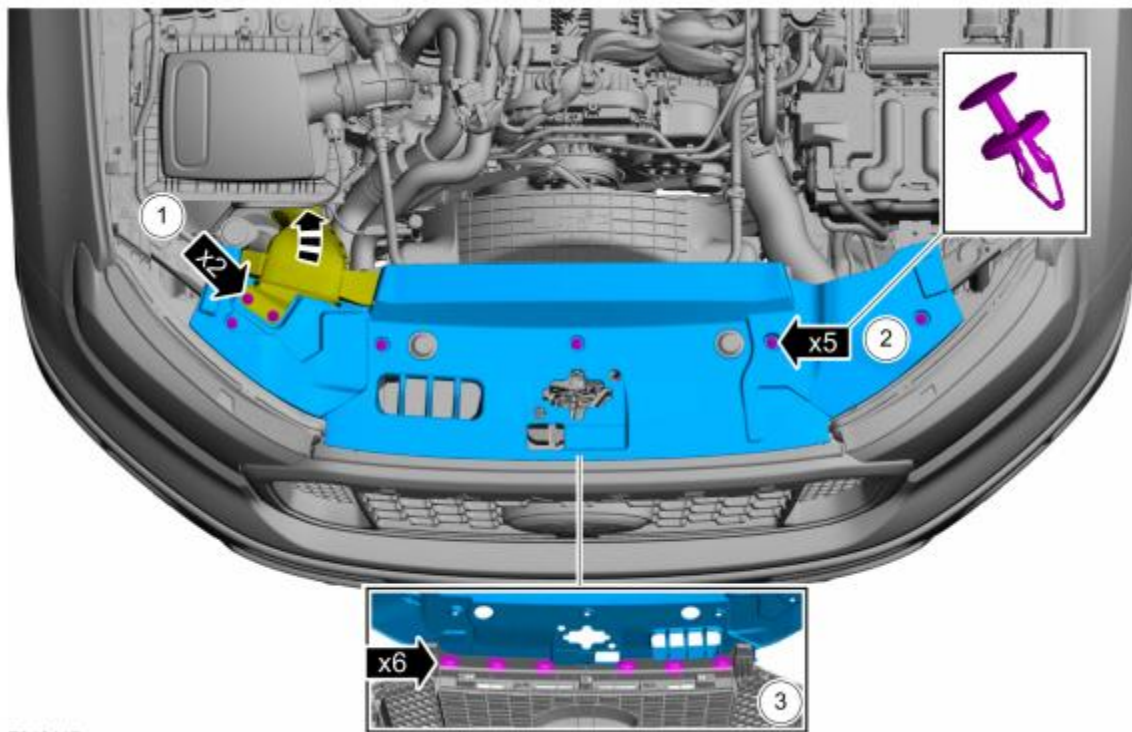
NO PART OF THIS DOCUMENT MAY BE REPRODUCED WITHOUT PRIOR AGREEMENT AND WRITTEN PERMISSION OF FORD PERFORMANCE PARTS © Ford Motor Company 2020

### Removal – Grille Oval

**NOTE:** Removal steps in this procedure may contain installation details.

 Extreme cold weather will cause breakage. A hair dryer can be used to localize warmth before flexing release tabs.

1. Remove the screws and position the air intake duct aside.
2. Remove the push pins.
3. Release the tabs and remove the radiator sight shield.

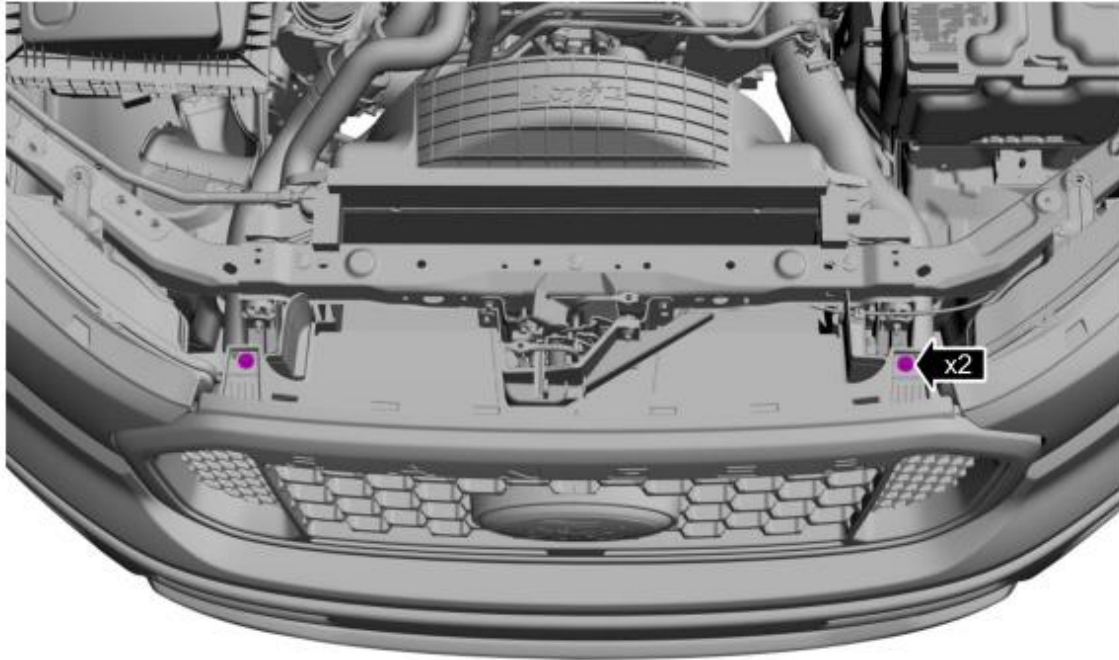


E316117

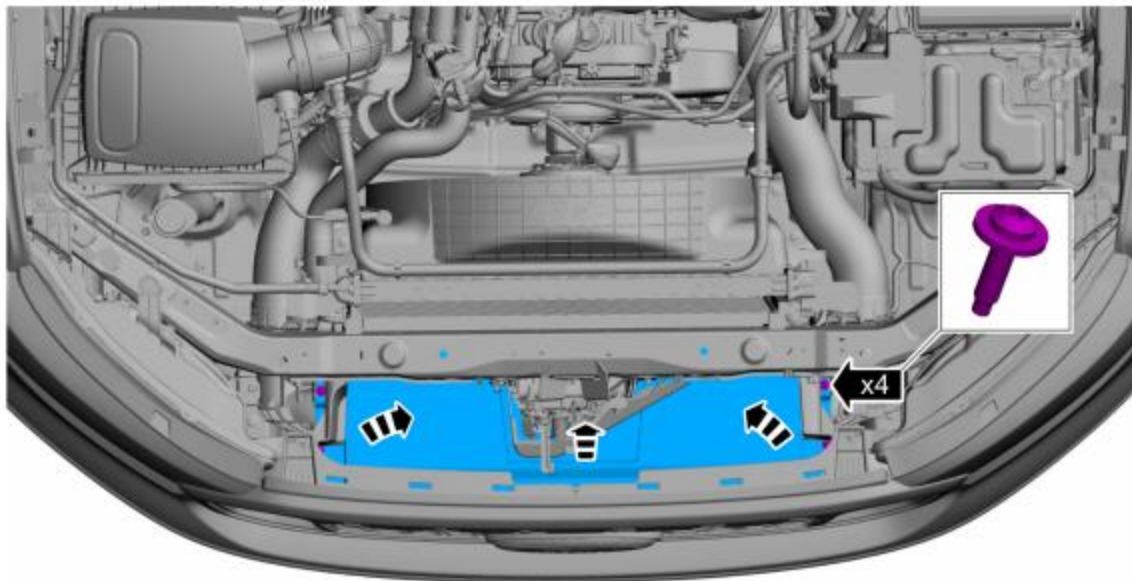
Ford Factory Shop Manual purchase options [www.motorcraftservice.com](http://www.motorcraftservice.com)

NO PART OF THIS DOCUMENT MAY BE REPRODUCED WITHOUT PRIOR AGREEMENT AND WRITTEN PERMISSION OF FORD PERFORMANCE PARTS © Ford Motor Company 2020

- Remove the bolts.  
*Torque: 44 lb.in (5 Nm)*



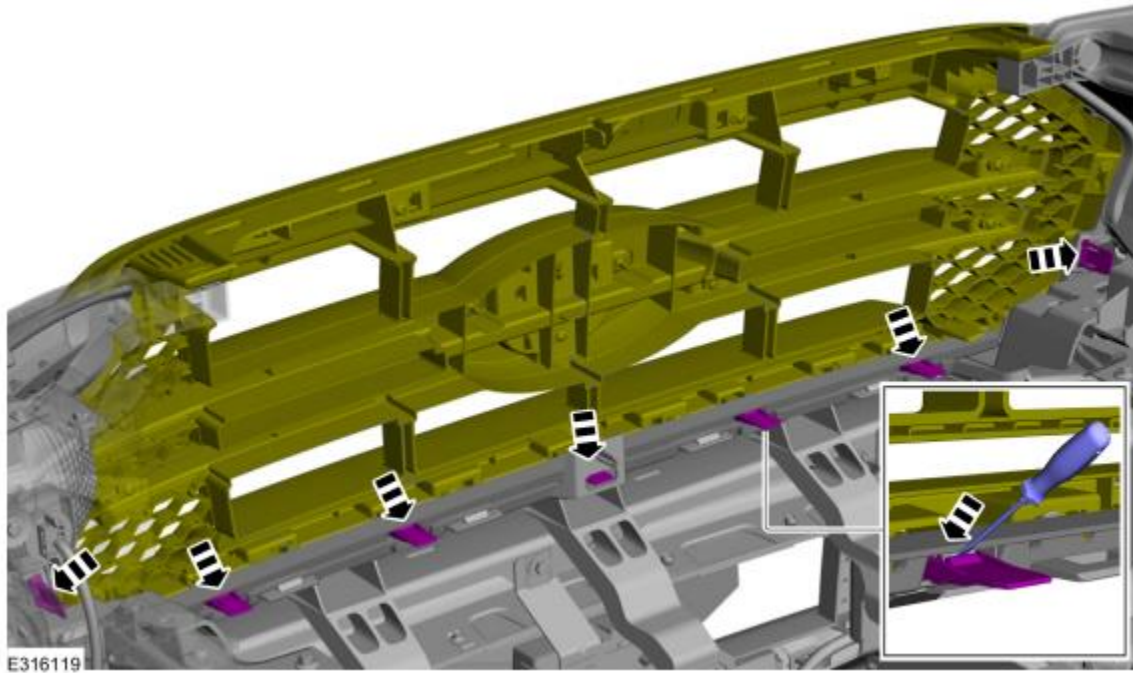
- Remove the screws and the radiator upper shield.  
*Torque: 42 lb.in (4.8 Nm)*



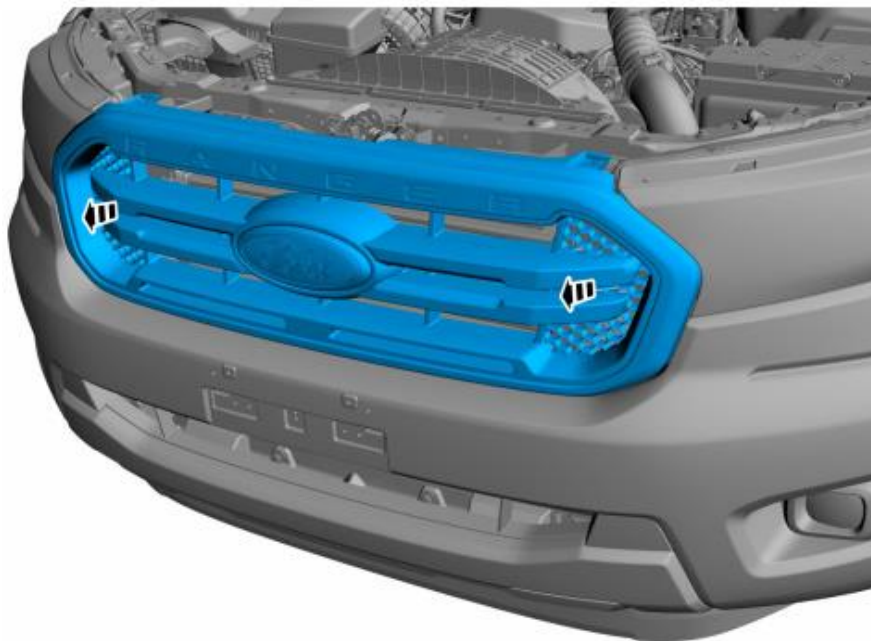
Ford Factory Shop Manual purchase options [www.motorcraftservice.com](http://www.motorcraftservice.com)

NO PART OF THIS DOCUMENT MAY BE REPRODUCED WITHOUT PRIOR AGREEMENT AND WRITTEN PERMISSION OF FORD PERFORMANCE PARTS © Ford Motor Company 2020

- Using a flat-blade screwdriver release the locking tabs from front bumper.



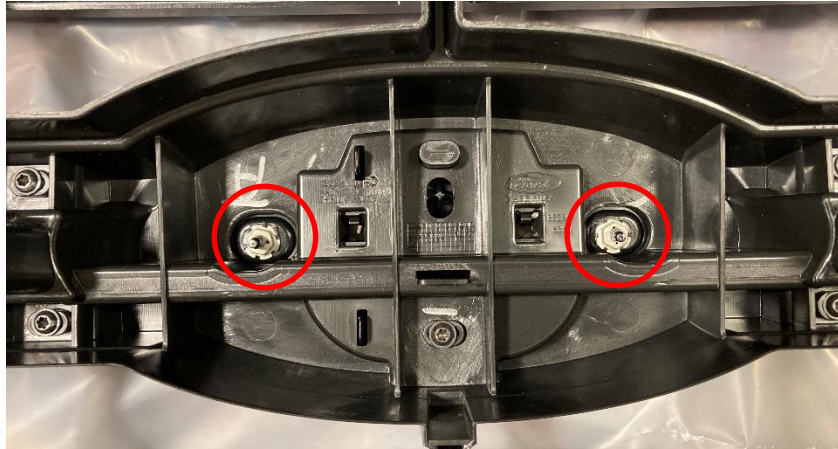
- Remove the radiator grille.



Ford Factory Shop Manual purchase options [www.motorcraftservice.com](http://www.motorcraftservice.com)

NO PART OF THIS DOCUMENT MAY BE REPRODUCED WITHOUT PRIOR AGREEMENT AND WRITTEN PERMISSION OF FORD PERFORMANCE PARTS © Ford Motor Company 2020

6. Use a 10mm socket to remove the two nuts on the backside of the grille and remove the oval badge. Replace with oval badge from kit.



#### Removal - Tailgate Oval

1. Use a trim removal tool to lift up the middle of the oval from the underside. Lift up the left and right sides of the oval to disengage the two pins holding the oval in place. Replace with tailgate oval from kit.



#### Installation

1. To install, reverse the removal procedure.

Ford Factory Shop Manual purchase options [www.motorcraftservice.com](http://www.motorcraftservice.com)